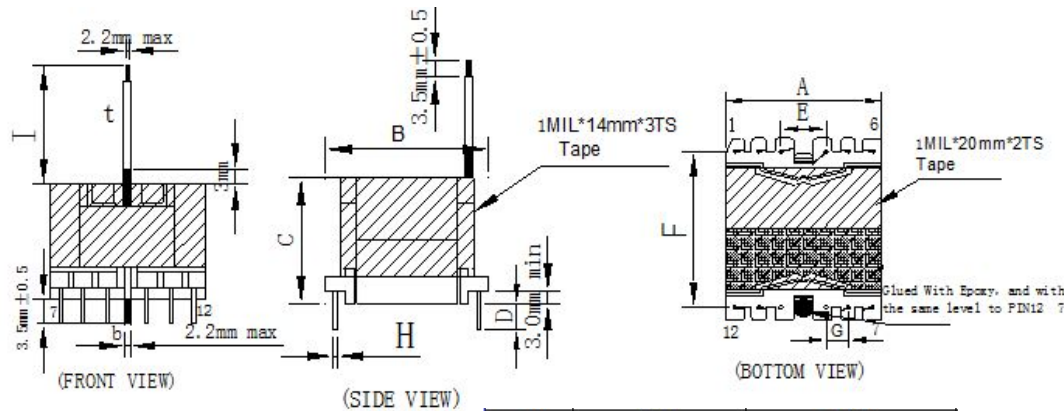


CUSTOMER TERMINAL	ROHS	Lead(Pb)-free
	YES	YES

## 1. Mechanical Dimensions

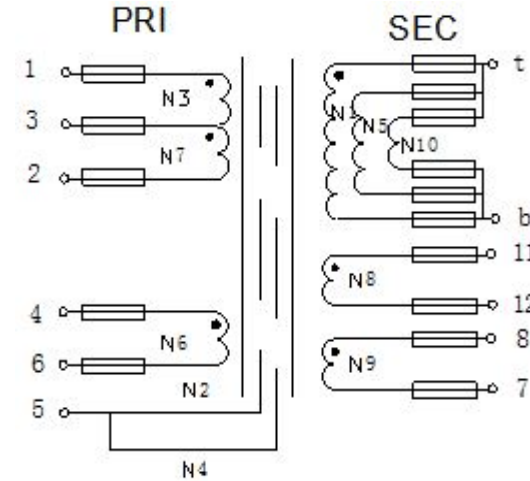


A	35.0	MAX
B	35.0	MAX
C	23.5	MAX
D	3.5	±0.5
E	7.5	±0.3
F	30.0	±0.4
G	5.0	±0.3
H	0.75	±0.1
I	45.0	±2.0

## 3. Material List

Core:FW44 PQ3220  
 Bobbin:FWB3201-1(6+6PIN)  
 Wire:2UEW TIW LITZ  
 Copper foil:0.025t\*8.0mm  
 Operating Temperature: -30 to115 °C

## 2. Schematic Diagram



## 4. Electrical Specification

Inductance :  $L(1-2):1.0mH \pm 5\%$  30KHZ , 1.0V  
 Leakage Inductance : 20uH MAX 30KHZ , 1.0V  
 DCR : (1-2)=0.61Ω MAX (B-T)=0.014Ω MAX  
 Hi-Pot:P-S: AC 60Hz 4000V 2mA 3S  
 S-CORE: AC 60Hz 4000V 2mA 3S

REV.	DATE	 Convention Placement	DRW.	Drawing Title:	Part No:		
0	00/00		CHK.			<b>TRANSFORMER</b>	FWPTPQ3220V102J
			APP.			Customer P/N	Specification Sheet 1of 1

**ROHS**

[www.ferriwo.com](http://www.ferriwo.com)